

ASSEMBLY INSTRUCTION

AMERICAN LIFESTYLES
FINE FURNITURE

ITEM # : SP4078T SAINT PETE B/EXT TABLE
SIZE : W40" x L60" + 18" x H30"

ASSEMBLY TIPS :

1. Remove hardware from box and sort by size
2. Please check to see that all hardware and parts are present prior to start of assembly
3. Please follow attached instructions in the same sequence as numbered to assure fast & easy assembly

Warning !

1. Don't attempt to repair or modify parts that are broken or defective. Please contact the store immediately.
2. This product is for home use only and not intended for commercial establishment

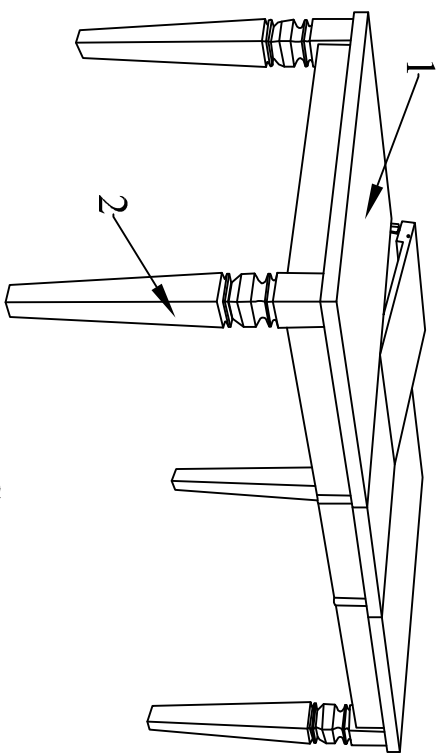
HARDWARE LIST	
No	Description Qty
A	Hex Nut 5/16" 8Pcs
B	Spring Washer 5/16" 8Pcs
C	Flat Washer 5/16" 8Pcs
D	Spanner 12.8 1Pc

PART LIST		
No	Description	Qty
1	Table Top	1Pc
2	Table Leg	4Pcs

CARE & MAINTENANCE :

- * The touch of a soft cloth is all the maintenance your wood pieces will ever need.
- * Never use harsh chemicals or abrasive cleaner as they could marks or destroy finish.

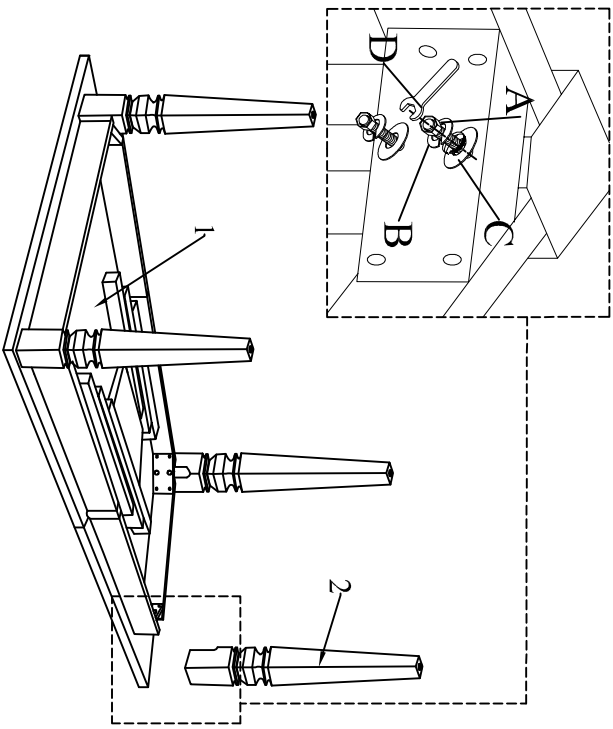
FULLY SETUP



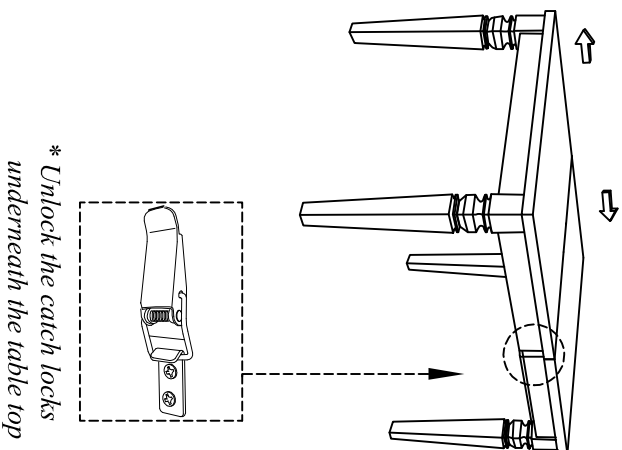
IMPORTANT NOTE :

- * Place all wooden parts on a clean and smooth such as a rug or carpet to avoid the parts from being scratched
- * Before you begin, Kindly follow the assembly instructions step by step

STEP 1



STEP 2



STEP 3

